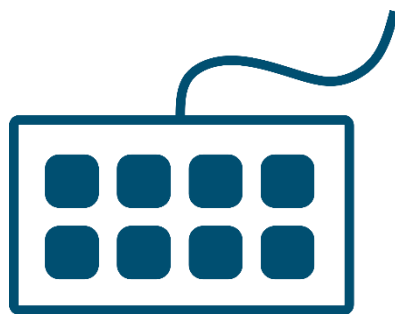
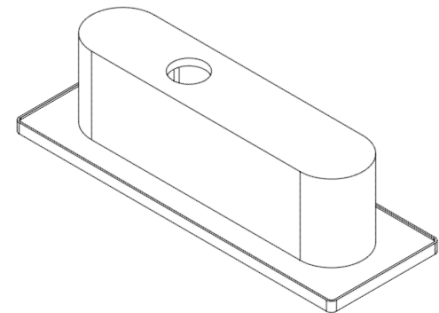
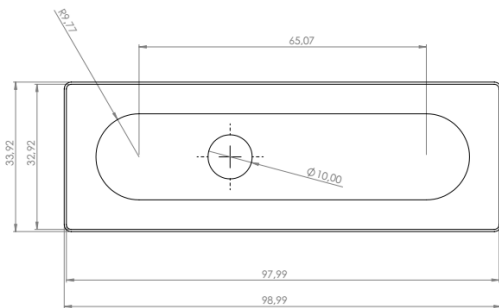
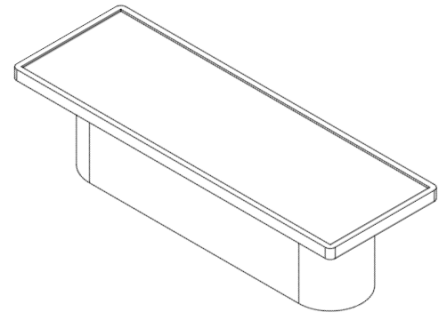
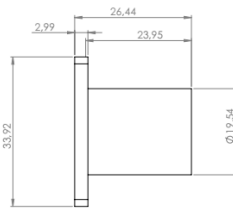
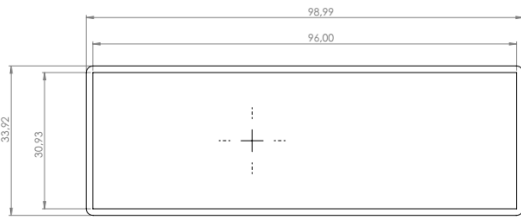




CONTROL UNIT



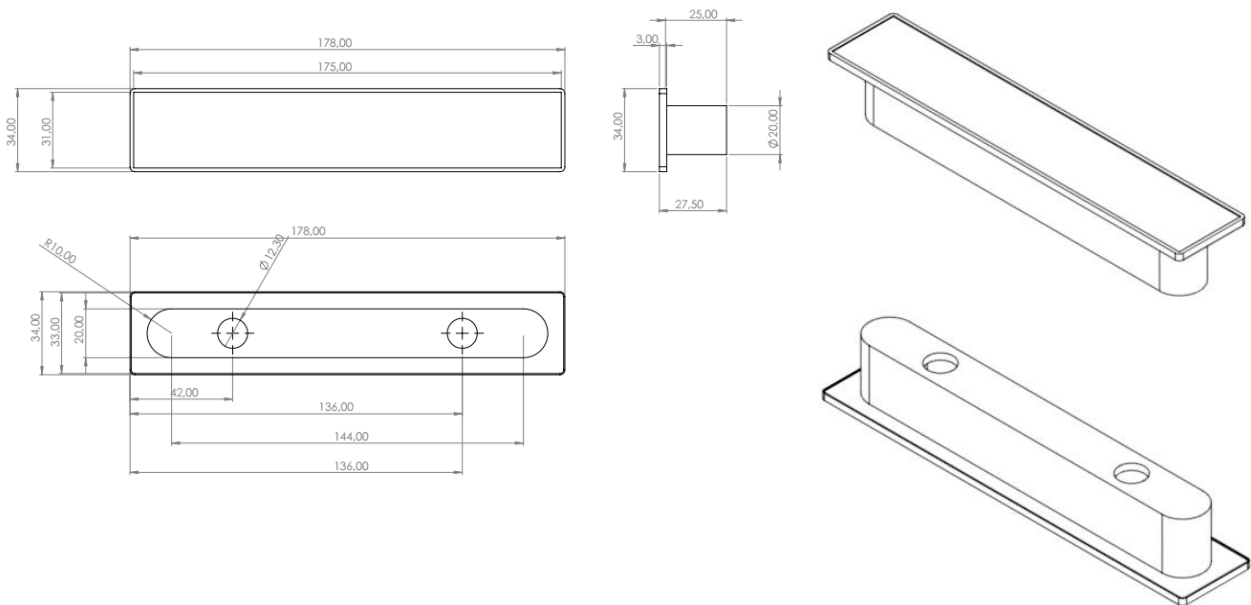
T3S2xx – 3-Keys Mechanical Keypad



Silk-screened label dimensions: 95,2x30,2x0,13 mm



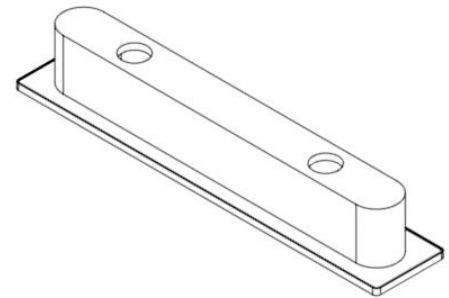
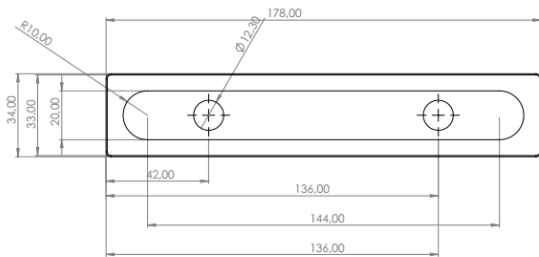
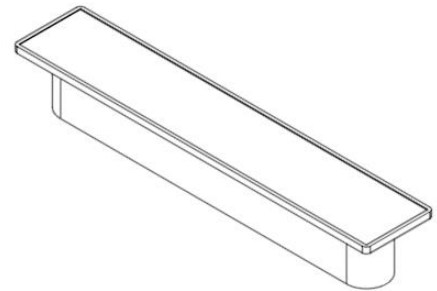
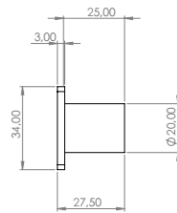
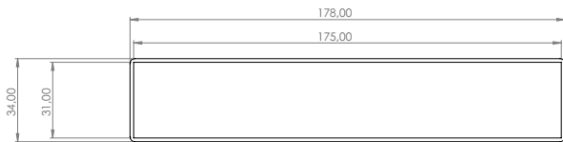
T6S1xx – 6-Keys Mechanical Keypad with LED Display



Silk-screened label dimensions: 174,5x30,6x0,13 mm



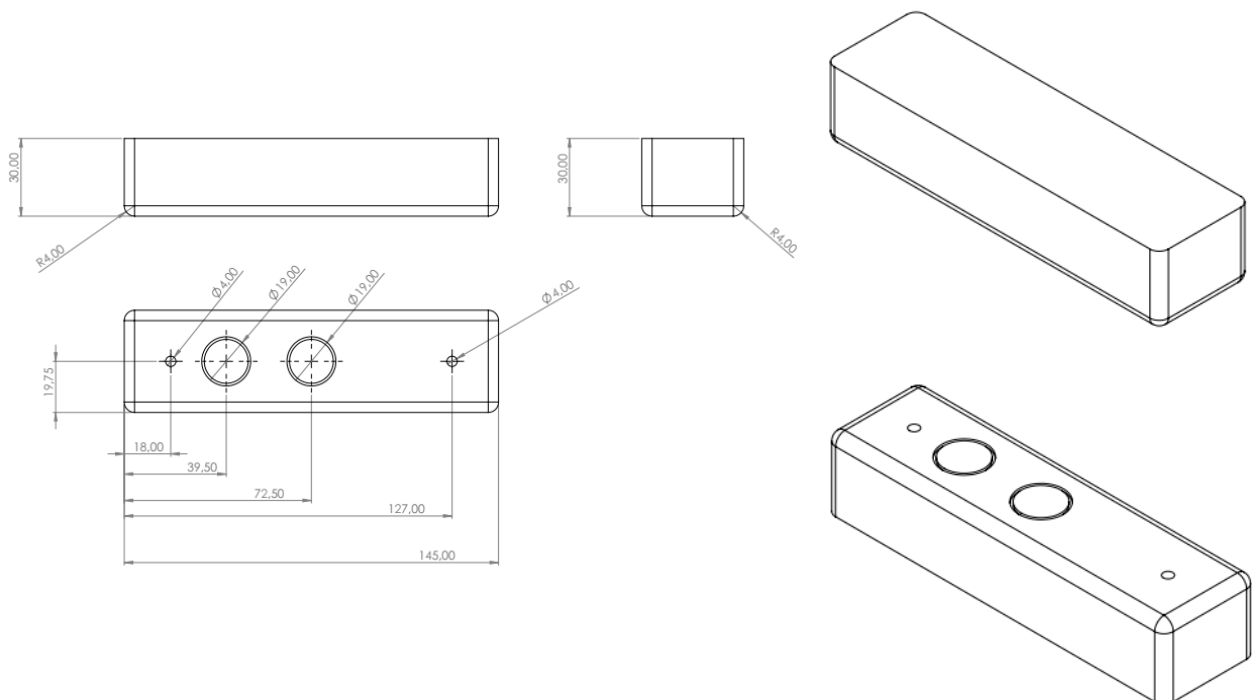
T6S2xx – 6-Keys Mechanical Keypad



Silk-screened label dimensions: 174,5x30,6x0,13 mm



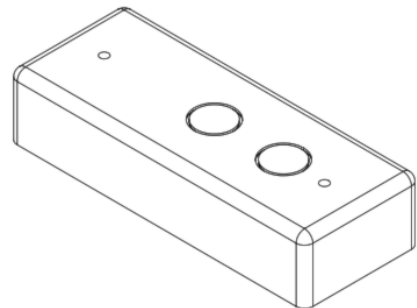
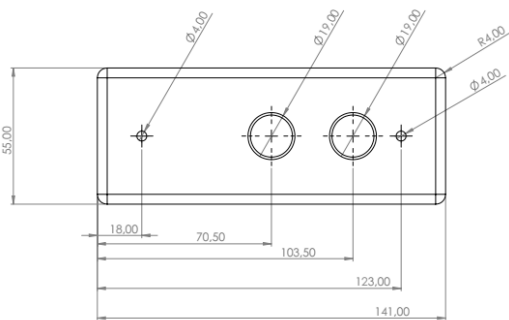
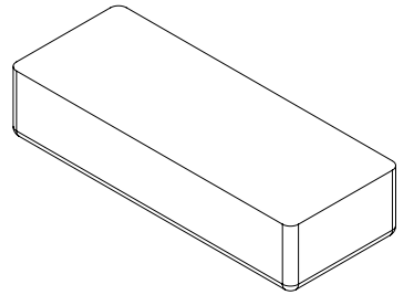
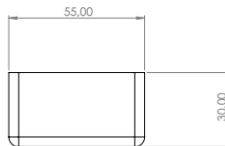
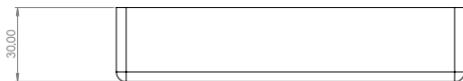
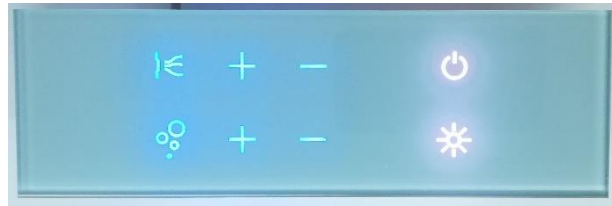
T5C1xx – 5-Keys Capacitive Keypad



Silk-screened tempered glass dimensions: 170x60x4 mm (minimum dimensions recommended)



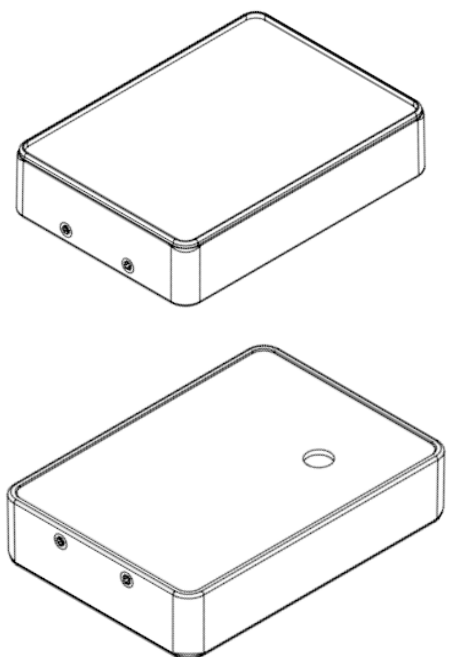
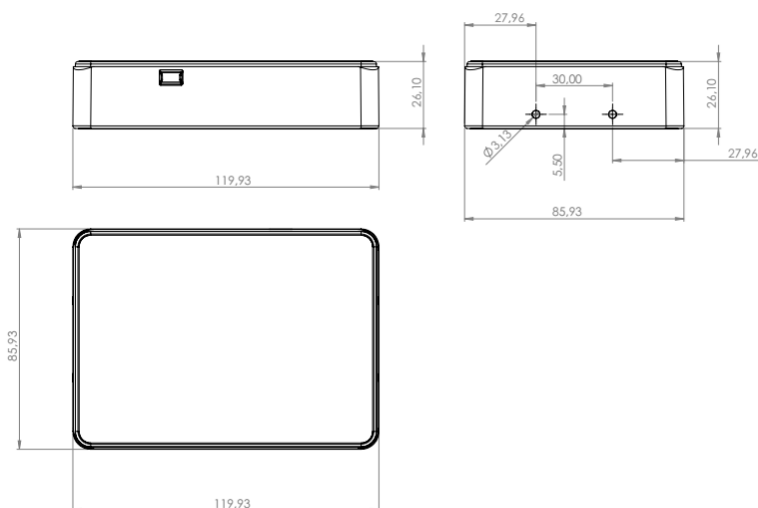
TAC1xx – 10-Keys Capacitive Keypad



Silk-screened tempered glass dimensions: 170x80x4 mm (minimum dimensions recommended)



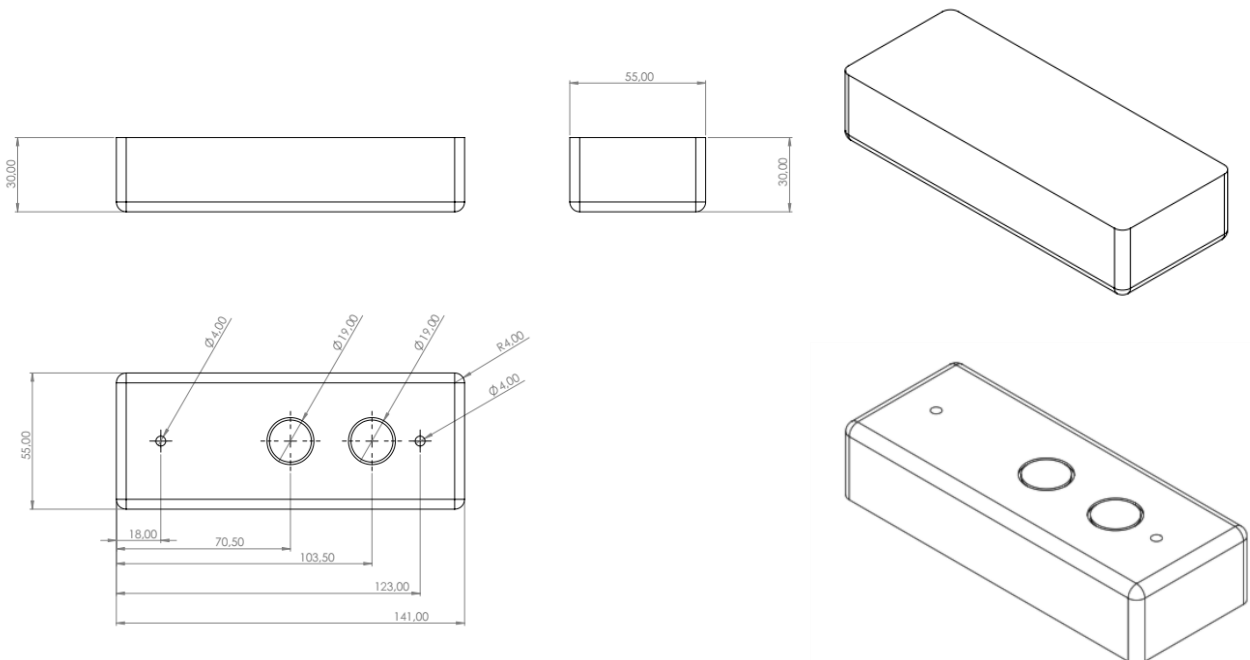
FCS3xx – Capacitive Touch Display



Silk-screened tempered glass dimensions: 180x120x4 mm (minimum dimensions recommended)



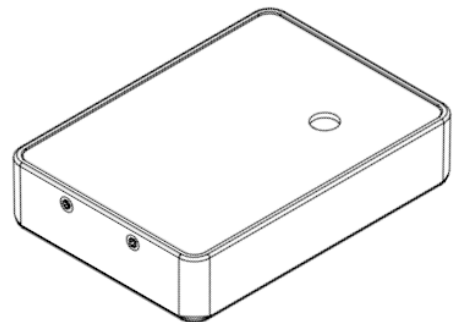
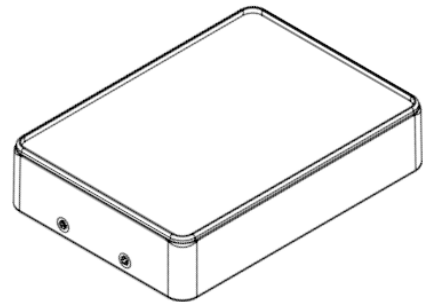
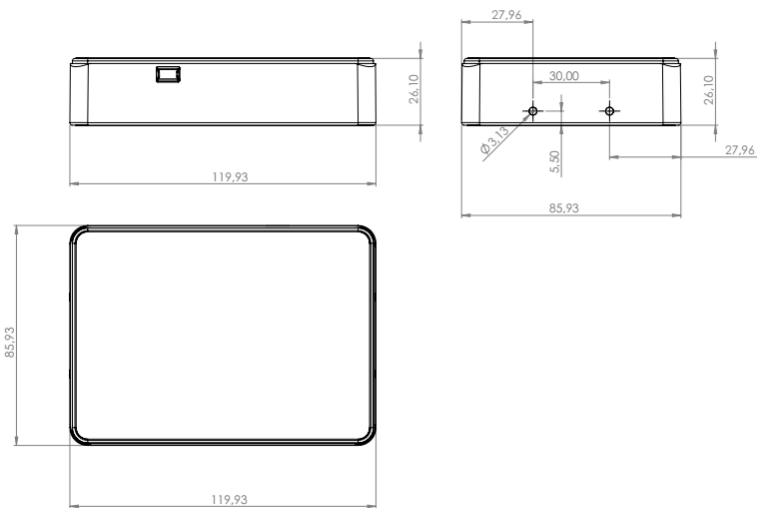
FCS5xx – 8-Keys Capacitive Keypad with OLED Display



Silk-screened tempered glass dimensions: 170x80x4 mm (minimum dimensions recommended)



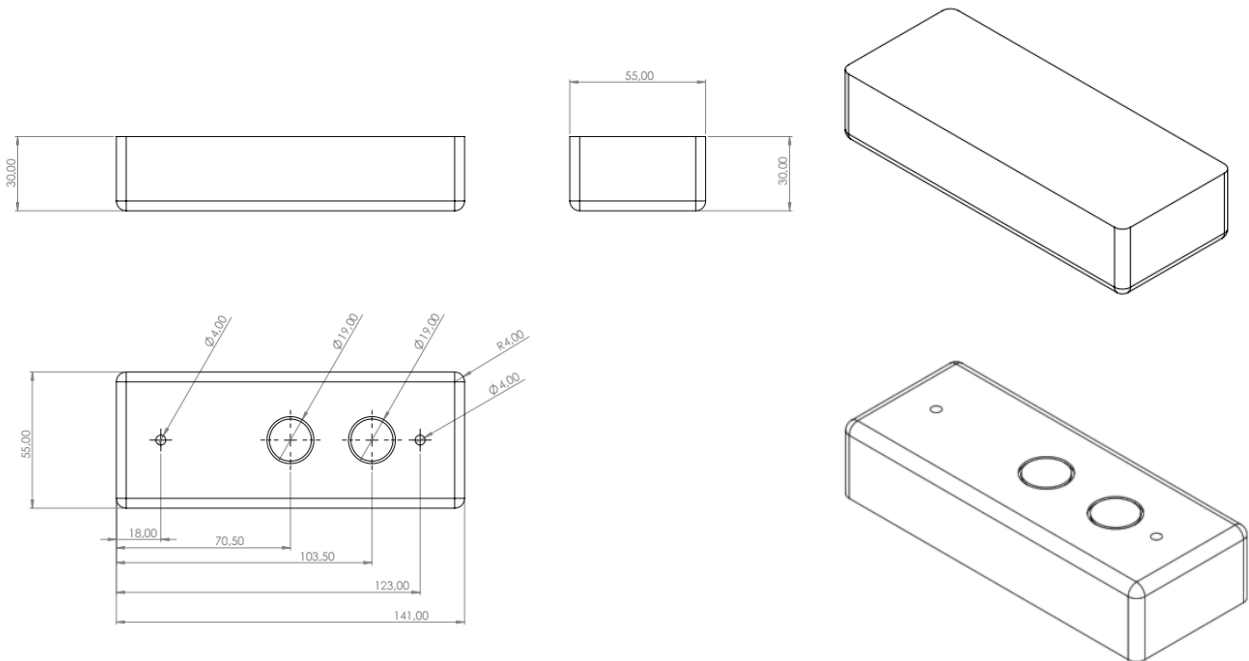
FCS6xx – 6-Keys Capacitive Keypad with OLED Display



Silk-screened tempered glass dimensions: 158x123x4 mm (minimum dimensions recommended)



FCS7xx – 6-Keys Capacitive Keypad with OLED Display



Silk-screened tempered glass dimensions: 170x80x4 mm (minimum dimensions recommended)





🏠 Via dell'Artigianato, 15 - 33070 BRUGNERA (PN) - ITALIA
☎ +39-0434-608035 🌐 www.fairw.com ✉ info@fairw.com

P.I. / C.F. / N° reg. Uff. Registro Imprese di Treviso: IT04482250265
Capitale Sociale i.v. € 100.000,00
REA TV/353599

Contacts

GENERAL INFO

☎ +39 0434 608035

✉ info@fairw.com

🌐 www.fairw.com

CUSTOMER SERVICE

✉ service@fairw.com

SALES OFFICE

✉ sales@fairw.com

TECHNICAL OFFICE

👤 **ing. Ronnie Canzian**

📁 *Engineering Manager*

✉ ronnie.canzian@fairw.com

👤 **ing. Daniele Rossi**

📁 *Project & Sales*

✉ d.rossi@fairw.com

SOCIAL NETWORKS

